

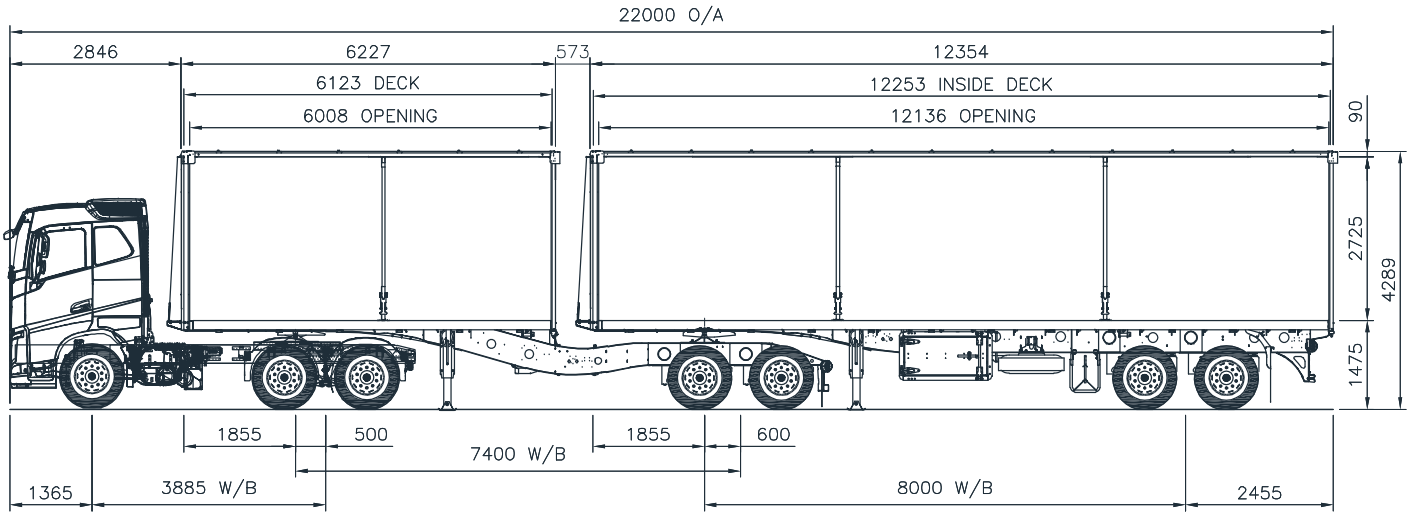


AFRIT TAUTLINER

6/12M TATA AXLE INTERLINK COMBINATION
WITH SLIDING CURTAINS

BUILT FOR MORE

AFRIT TAUTLINER



WEIGHT

Tare	9500kg
Payload	37 000kg
GCM	56 000kg

DIMENSIONS

Length	19 154kg
Width	2600mm
Height	4300mm

SPECIFICATIONS

Wheels	315/80R22.5
Rims	9.00 x 22.5 Off Set Aluminium
Suspension	AFRIT Air Suspension
Spare Wheel Carrier	Winch type
Brakes	Twin Line with ABS - 24 Volt

OTHER

Digital printed curtains, Marker lights, Load locks, Corner plate carriers and Corner plates.
*Payloads are based on a truck tare weight of 9500kg.



ROSSLYN (HQ)

Tel +27 (0)12 541 2123
7 Phillips Street,
Rosslyn, Pretoria

POMONA

Tel +27 (0)11 892 9200
78 Pomona Road,
Kempton Park

a Bud Group Company

WWW.AFRIT.CO.ZA