



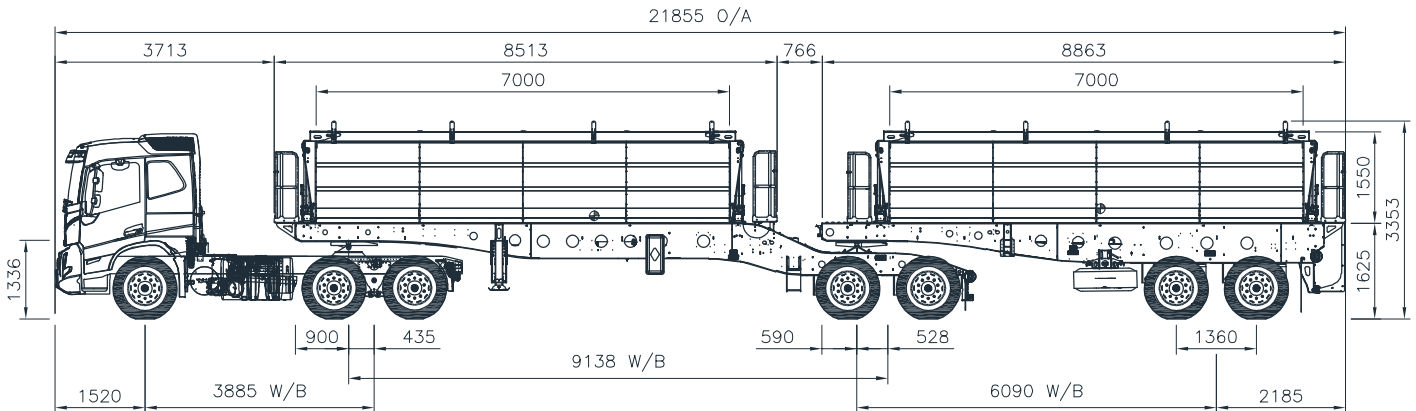
AFRIT

SIDE TIP INTERLINK

45M3 TANDEM/TANDEM AXLE SIDE TIP
INTERLINK COMBINATION

BUILT FOR MORE

AFRIT SIDE TIP INTERLINK



WEIGHT

Tare	9600kg
Payload	36 900kg
GCM	56 000kg

DIMENSIONS

Length	18 142mm
Width	2600mm
Height	3353mm

SPECIFICATIONS

Wheels	385/65R22.5
Rims	11.75 x 22.5 Central Disc Aluminium
Suspension	AFRIT Air Suspension
Spare Wheel Carrier	Winch type
Brakes	Twin Line with ABS - 24 Volt

OTHER

3mm High tensile steel bins, Tyre inflation system, PVC top covers.
*Payloads are based on a truck tare weight of 9500kg.



ROSSLYN (HQ)

Tel +27 (0)12 541 2123
7 Phillips Street,
Rosslyn, Pretoria

POMONA

Tel +27 (0)11 892 9200
78 Pomona Road,
Kempton Park

a Bud Group Company

WWW.AFRIT.CO.ZA