

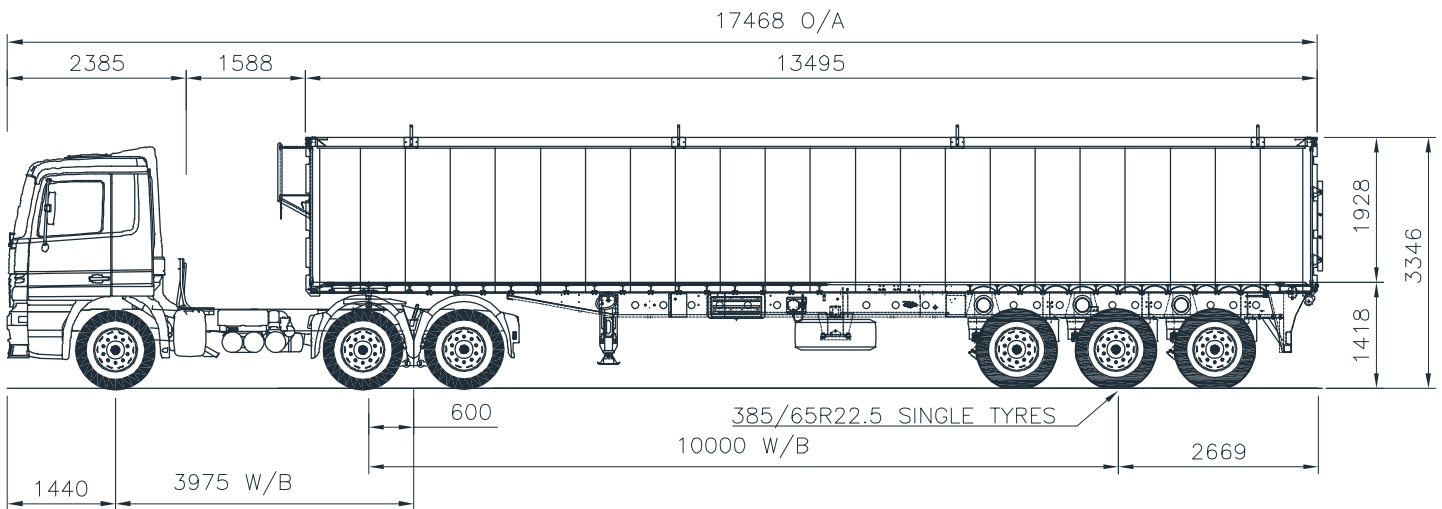


AFRIT
**MOVING
FLOOR**

**65M3 TRIDEM AXLE SEMI TRAILER
WITH MOVING FLOOR**

BUILT FOR MORE

AFRIT MOVING FLOOR



WEIGHT

Tare	7520kg
Payload	32 400kg
GCM	49 500kg

DIMENSIONS

Length	13 571mm
Width	2600mm
Height	3543mm

SPECIFICATIONS

Wheels	385/65R22.5
Rims	11.75 x 22.5 Central Disc Aluminium
Suspension	AFRIT Air Suspension
Spare Wheel Carrier	Winch type
Brakes	Twin Line with ABS - 24 Volt

OTHER

15 Plank cargo floor, Lift axles, Tyre inflation system, PVC top cover, Load indicator.
*Payloads are based on a truck tare weight of 9500kg.



ROSSLYN (HQ)

Tel +27 (0)12 541 2123
7 Phillips Street,
Rosslyn, Pretoria

POMONA

Tel +27 (0)11 892 9200
78 Pomona Road,
Kempton Park

a Bud Group Company

WWW.AFRIT.CO.ZA