



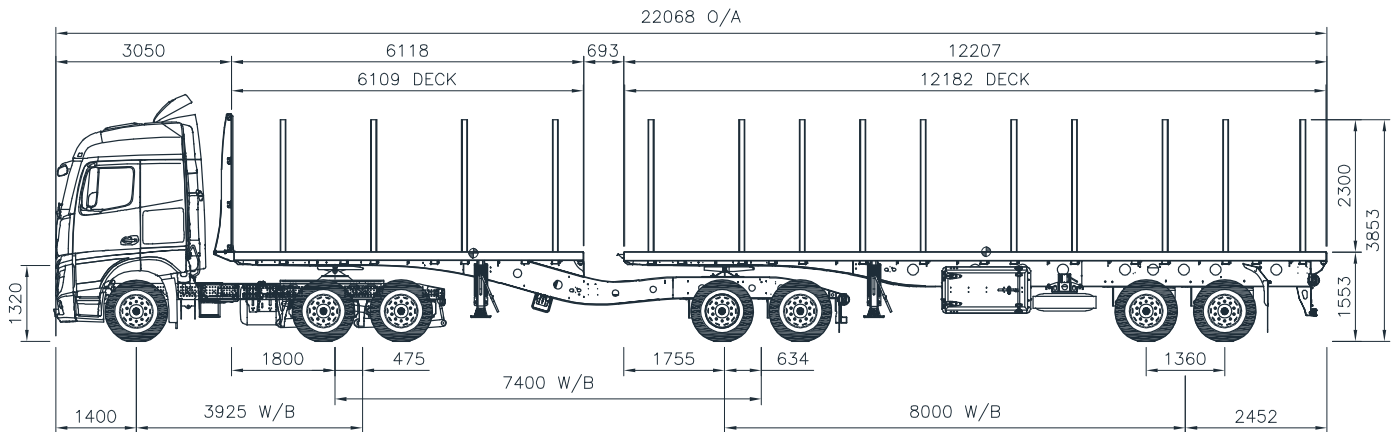
AFRIT

FLATDECK INTERLINK

6/12M TANDEM/TANDEM AXLE
FLATDECK INTERLINK COMBINATION

BUILT FOR MORE

AFRIT FLATDECK INTERLINK



WEIGHT

Tare	9300kg without stakes 10 560kg with stakes
Payload	37 200kg without stakes 35 940kg with stakes
GCM	56 000kg

DIMENSIONS

Length	19018mm
Width	2490mm
Height	1560mm

SPECIFICATIONS

Wheels	315/80R22.5
Rims	9.00 x 22.5 Off Set Aluminium
Suspension	AFRIT Air Suspension
Spare Wheel Carrier	Winch type
Brakes	Twin Line with ABS - 24 Volt

OTHER

44 Stake pockets, 32 Stakes, Stake carriers, Tarpaulin box.
*Payloads are based on a truck tare weight of 9500kg.



ROSSLYN (HQ)

Tel +27 (0)12 541 2123
7 Phillips Street,
Rosslyn, Pretoria

POMONA

Tel +27 (0)11 892 9200
78 Pomona Road,
Kempton Park

a Bud Group Company

WWW.AFRIT.CO.ZA