

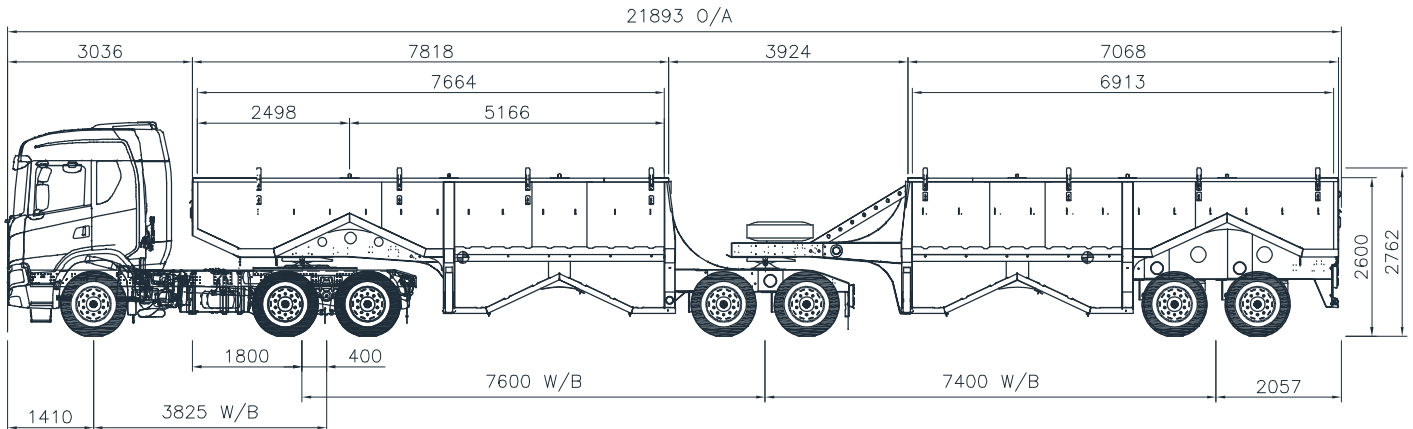


AFRIT  
**BOTTOM DUMP  
INTERLINK**

**52M<sup>3</sup> TA/TA AXLE BOTTOM DUMP  
INTERLINK COMBINATION**

**BUILT FOR MORE**

# AFRIT BOTTOM DUMP INTERLINK



## WEIGHT

<b>Tare</b>	8828kg
<b>Payload</b>	37 672kg
<b>GCM</b>	56 000kg

## DIMENSIONS

<b>Length</b>	18 716mm
<b>Width</b>	2600mm
<b>Height</b>	2762mm

## SPECIFICATIONS

<b>Wheels</b>	385/65R22.5
<b>Rims</b>	11.75 x 22.5 Central Disc Aluminium
<b>Suspension</b>	AFRIT Air Suspension
<b>Spare Wheel Carrier</b>	Bolt on type
<b>Brakes</b>	Twin Line with ABS - 24 Volt

## OTHER

Tyre inflation, Sliding type discharge gates, PVC top covers.  
\*Payloads are based on a truck tare weight of 9500kg.



### ROSSLYN (HQ)

Tel +27 (0)12 541 2123  
7 Phillips Street,  
Rosslyn, Pretoria

### POMONA

Tel +27 (0)11 892 9200  
78 Pomona Road,  
Kempton Park

a Bud Group Company

[WWW.AFRIT.CO.ZA](http://WWW.AFRIT.CO.ZA)